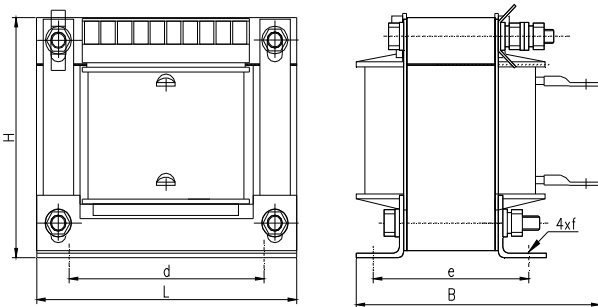
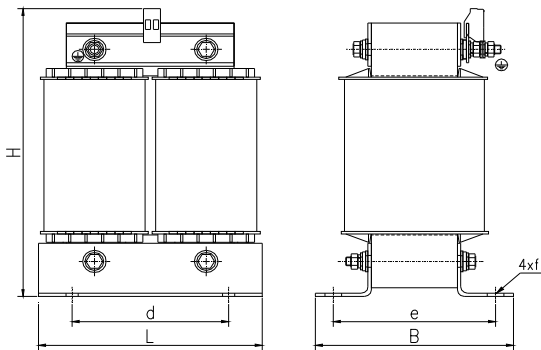


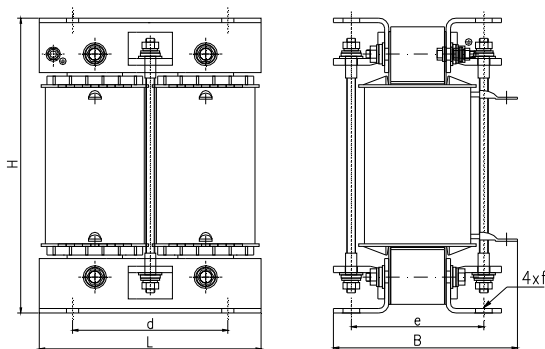
Design A
EI with screw terminals



Design B
EI with cable lugs



Design C



Design D

Technical data:

Design	Chokes are produced according to : EN/IEC 61558-2-20; EN/IEC 60289
Insulation class	F(155°C) - standard
Ambient temperature	40°C
Climatic class /environmental class	C1/E0 - land design C2/E1 - maritime design
Protection degree	IP 00
Frequency	50 Hz
Rated voltage	up to 750 V
Terminals	screw terminal blocks or cable lugs
Fastening	by means of angles

The ED1N line chokes are used in single-phase supply systems, usually for protecting power thyristors and transistors against rapid growth of current. Moreover, the line chokes limit commutation over-voltages in the circuit and backward current impulse amplitude when switching off thyristors. The line chokes also function as protectors of the supply network against higher harmonic propagation.

The range of possible versions is limited by the following equation:

$$0,05 < 2\pi f \times L \times I^2 \times 10^{-6} < 100$$

where: f - [Hz], L - [mH], I - [A]

Note:

Manufacturer reserves the right to make changes resulting from the continuous development of products offered.

If requested in advance, it is possible to manufacture a choke in other version.

For designs with climatic/environmental class C2/E1 the letter "M" ought to be added