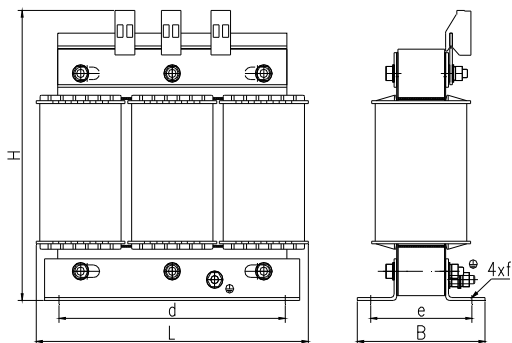
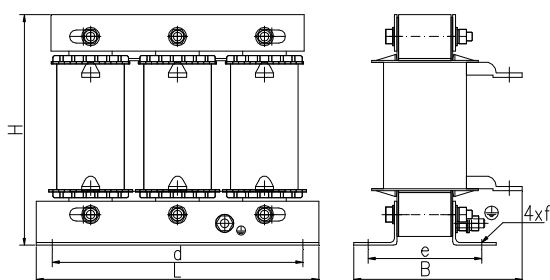


**ED3F-
..*/400/14**

**Three-phase protective chokes
for harmonics filtration in compensation systems p=14%
(rated voltage of capacitive battery 525V)**



Design A



Design B

Technical data:	
Design	Chokes are produced according to : EN/IEC 61558-2-20; EN/IEC 60938
Windings material	copper
Rated voltage of capacitors	525 V
Rated supply voltage	400 V
Frequency	50 Hz
Attenuation coefficient [p]	14% ($f_r=134\text{Hz}$)
Insulation class	F(155°C) - standard
Ambient temperature	40°C - land design 45°C - maritime design
Climatic class /environmental class	C1/E0 - land design C2/E1 - maritime design
Protection degree	IP 00
Magnetic linearity	$I_{LIN}=1,15 \cdot I_n$
Thermal current	$1,06 \times I_n$

Chokes are assigned for operation in reactive power compensation systems to protect capacitive batteries. Together with capacitors, they form resonance systems which limit amplitude of harmonics currents.

It is possible to manufacture the chokes with various coil terminals like screw terminal blocks, cable lugs or copper bus bars, depending on the rated current. There is also a possibility to insert sensors in windings, in order to protect the chokes against overheating.

Q_{LC} - rated reactive power of LC circuit (choke-capacitor)

U_{LC} - rated voltage of the LC circuit

P - attenuation coefficient

Q_C - rated reactive power of the capacitive battery

U_C - rated voltage of the capacitive battery

L_N - rated inductance of the protective choke

I_N - rated current of the LC circuit

Technical data for rated voltage of capacitive battery 525V

Type of the choke [$Q_{LC}/U_{LC}/p Q_C/U_C$]	Power of battery [kVAr]	L_N [mH]	I_N [A]	L [mm]	B [mm]	H [mm]	d [mm]	e [mm]	f [mm]	Weight [kg]	Design
ED3F-1,7/400/14-2,5/525	2,5	49,13	2,4	125	71	141	100	55	5x8	2,6	A
ED3F-3,4/400/14-5/525	5	24,57	4,9	155	92	160	130	72	8x12	5,4	A
ED3F-6,7/400/14-10/525	10	12,28	9,7	195	102	190	173	82	8x11	7,9	A
ED3F-8,4/400/14-12,5/525	12,5	9,83	13,5	208	98	210	173	78	8x11	9,5	A
ED3F-10,1/400/14-15/525	15	8,19	14,6	208	105	210	173	85	8x11	11,3	A
ED3F-13,5/400/14-20/525	20	6,14	19,5	240	131	230	198	105	11x29	16	A
ED3F-16,9/400/14-25/525	25	4,91	24,4	240	146	230	198	120	11x29	20	A
ED3F-20,2/400/14-30/525	30	4,09	29,2	240	175	210	198	129	11x29	23,4	B
ED3F-27/400/14-40/525	40	3,07	39	300	170	270	240	120	11x15	27,5	B
ED3F-33,7/400/14-50/525	50	2,46	48,7	300	190	270	240	145	11x15	38,2	B
ED3F-40,5/400/14-60/525	60	2,05	58,5	300	200	270	240	160	11x15	45,4	B
ED3F-50,6/400/14-80/525	80	1,64	73,1	340	200	310	300	146	11x21	53,8	B
ED3F-67,5/400/14-100/525	100	1,23	97,4	420	190	420	370	141	11x15	65,8	B

Note:

Manufacturer reserves the right to make changes resulting from the continuous development of products offered.

If requested in advance, it is possible to manufacture a choke in other version.

For designs with climatic/environmental class C2/E1 the letter "M" ought to be added



ED/2014/X/13

Manufacturer: **ELHAND TRANSFORMATORY Sp. z o.o.**

42-700 Lubliniec, ul. Klonowa 60

tel.: (34) 34 73 100, fax: (34) 34 70 207

<http://www.elhand.pl> e-mail: info@elhand.pl