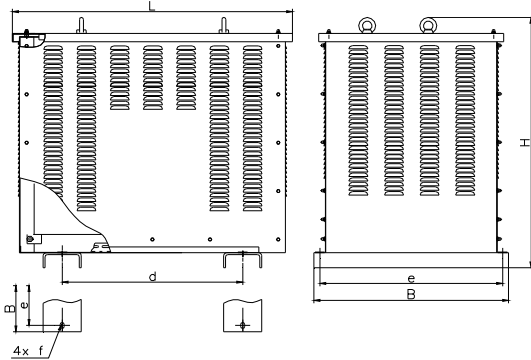
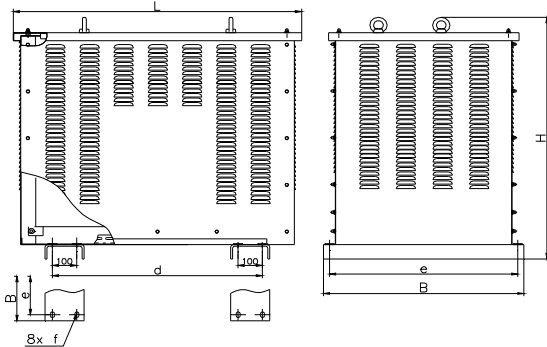


BG 23

Enclosures BG 23 for single and three-phase power transformers IP23



Design 1



Design 2

Technical data:

Protection degree	IP 23
Colour	Standard - RAL 7032. Other colours on request
Cable outlets	In standard design cables are taken out via hole in the bottom of the enclosure or cable glands placed in front wall of the enclosure.

Enclosures BG23 are designed for mounting of single-phase and three-phase transformers with a rated power up to 1600 KVA.

Their structure enables an easy and totaly dismounting. Casings are fixed to the base by means of channel irons. They are made of steel sheet, which is protected against corrosion; steel sheet is degreased and phosphatized and has double epoxy -polyester powder coating. Fasteners have a protective coating. The bottom is made of perforated sheet.

Enclosures for single-phase transformers ET1S i ET1o

Type	Power range min-max [kVA]	L [mm]	B [mm]	H [mm]	d [mm]	e [mm]	s [mm]	w [mm]	Design	f [mm]	Weight [kg]
BG23 - U 210	7,5 - 12	440	520	620	240	470	50	30	1	(11x15)	20
BG23 - U 240	15 - 16	480	570	710	270	520	50	30	1	(13x18)	27
BG23 - U 260	20 - 40	540	630	785	310	580	50	30	1	(13x18)	33
BG23 - U 320	50 - 75	640	705	845	360	655	70	50	1	(13x18)	45
BG23 - U 340	80 - 100	680	780	970	380	730	70	50	1	(17x25)	66
BG23 - U 410	100 - 200	820	820	1100	430	770	70	50	1	(17x25)	82
BG23 - U 460	200 - 300	950	1000	1310	450	950	70	50	1	(17x25)	116
BG23 - U 490	300 - 450	1000	1080	1430	500	1030	70	50	1	(17x25)	129

Enclosures for three-phase transformers ET3S i ET3o

Type	Power range min-max [kVA]	L [mm]	B [mm]	H [mm]	d [mm]	e [mm]	s [mm]	w [mm]	Design	f [mm]	Weight [kg]
BG23 - E250	3 - 5,0	480	480	500	240	430	50	30	1	(11x15)	17
BG23 - E300	6,3 - 10,0	540	510	540	310	460	50	30	1	(11x15)	20
BG23 - E350	12,5 - 16	620	520	620	370	470	50	30	1	(11x15)	25
BG23 - E400	20 - 30	660	570	710	430	525	50	30	1	(13x18)	33
BG23 - E440	40 - 63	720	630	785	490	585	70	50	1	(13x18)	42
BG23 - E550	75 - 115	870	705	845	590	660	70	50	1	(13x18)	54
BG23 - E580	120 - 160	980	780	970	620	730	70	50	1	(17x25)	82
BG23 - E700	200	1180	820	1100	600/800	770	160	65	2	(17x25)	113
BG23 - E785	225 - 250	1280	1000	1310	660/860	950	180	70	2	Ø22	155
BG23 - E840	315	1360	1080	1430	660/860	1030	180	70	2	Ø22	174
BG23 - E1080	400 - 630	1560	1150	1490	660/860	1100	180	70	2	Ø22	190
BG23 - E1170	800	1790	1150	1870	660/860	1100	180	70	2	Ø22	242
BG23 - E1350	1000 - 1250	1960	1300	2210	660/860	1250	180	70	2	Ø22	322
BG23 - E1450	1600	2050	1300	2210	660/860	1250	180	70	2	Ø22	345

You may negotiate the special designs as well as casings for other powers when placing an order

Note:

Power ranges assigned to the types of enclosures overlap each other due to the large diversity of the transformer dimensions transformers depending on the specific technical data (voltage, current rating, the type of receiver)

The manufacturer reserves the right to make changes resulting from the continuous development of the product offered

Other designs of casings can be delivered after mutually settlement



EO/2014/X/06

Manufacturer: **ELHAND TRANSFORMATORY Sp. z o.o.**

PL 42-700 Lubliniec, ul. Klonowa 60

tel.: (34) 34 73 100, fax: (34) 34 70 207

<http://www.elhand.pl> e-mail: info@elhand.pl